



EnergyTechnology

RNK-L-RP-N

Piston type water meter

with plastic body
with protected dial
retrofitable with pulser



ZENNER
All that counts.



RNK-L-RP-N

Piston type water meter with protected dial and composite housing

The new series of our volumetric piston meters with protected dial are an improvement of the classical RNK. Our developers succeeded in combining the millionfold proved and high-precise measuring insert with a body of pressure-tight plastics, suitable for use with potable water. The result is the innovative RNK-L-RP-N.

A very low starting flow and reliable performance even with aggressive or dezincification water qualities are its main features. The protected roller counter is reliably readable even under demanding climatic conditions.

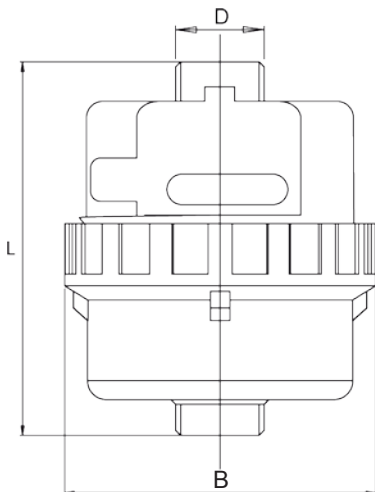
The construction principle of the RNK-L-RP-N with direct transmission from the measuring chamber to the counter ensures by standard protection against magnetic or other manipulation attempts or interference.

RNK-L-RP-N is equipped with pulser (Reed) for remote readout.

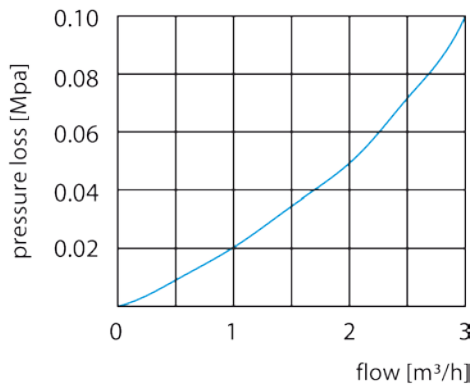
Technical Data

- Rugged, light and intelligently conceived
- Register with protected encapsulated rollers
- Approx. 50% lighter than meters with brass body
- Housing made from high-quality UV-resistant polymer composite
- Working temperature 30°C
- Operating pressure PN 16
- Display range 0,02 l to 9999 m³
- Proven accuracy in any installation position
- Optional with integrated tamperproof check valve
- Retrofittable with pulser 0,5 l/pulse
- Approved in accordance with MID

| Technical Data RNK-L-RP-N | | | | | |
|--|-----------|-------------------|-----------|-----------|-----------|
| Permanent flow | Q_3 | m ³ /h | 1,6 | 2,5 | 4 |
| Comparable to nominal flow (EWG) | Q_n | m ³ /h | 1 | 1,5 | 2,5 |
| Attainable measuring range | Q_3/Q_1 | R | 160 | 160 | 200 |
| Standard measuring range | Q_3/Q_1 | R | 160 | 160 | 160 |
| Comparable to metrological class (EWG) | Class | | C | C | C |
| Overload flow | Q_4 | m ³ /h | 2 | 3,215 | 5 |
| Minimum flow | Q_1 | l/h | 10 | 16 | 25 |
| Start-up flow rate | - | l/h | < 3,5 | < 3 | < 4 |
| Display range | min | l | 0,02 | 0,02 | 0,02 |
| | max | m ³ | 9999 | 9999 | 9999 |
| Maximum temperature | | °C | 30 | 30 | 30 |
| Operating pressure, max. | PN | bar | 16 | 16 | 16 |
| Pulse value | | l/pulse | 0,5 | 0,5 | 0,5 |
| Pressure loss at Q3 | | bar | < 0,6 | < 0,6 | < 0,6 |
| Dimensions: | | | | | |
| Nominal diameter | DN | mm | 15 | 15 | 20 |
| | | inch | 1/2" | 1/2" | 3/4" |
| Overall length without connectors | L | mm | 115/165 | 115/165 | 165/190 |
| Overall length with connectors approx. | | mm | 195/245 | 195/245 | 261/286 |
| Thread meter G x B | D | inch | 3/4" | 3/4" | 1" |
| Width | B | mm | 103 | 103 | 103 |
| Weight | | kg | 0,43/0,45 | 0,43/0,45 | 0,49/0,50 |



Dimensions RNK-L-RP-N



Typical pressure loss curve

ZENNER International GmbH & Co. KG

Römerstadt 6
66121 Saarbrücken

Tel: +49 681 99 676 - 30
Fax: +49 681 99 676 - 3100

info@zenner.com
www.zenner.com